

8/25/2022 4:21 PM K:\2021\214027.03 Fidalgo Marina\Emergency Permit Options\214027.03.01-02.dwg



PLAN

EMERGENCY BATTER PILE REPAIRS	
BREAKWATER	BENT
NORTH	1
NORTH	2
NORTH	3
NORTH	4
NORTH	5
NORTH	6
NORTH	7
NORTH	9

EMERGENCY BATTER PILE REPAIRS	
BREAKWATER	BENT
EAST	1
EAST	2
EAST	4
EAST	7
EAST	12
EAST	13
EAST	23
EAST	24
EAST	38
EAST	45
EAST	62
EAST	67
EAST	74
EAST	77

LEGEND			
	BENT I.D.		BATTER PILE
	H-PILE		BATTER PILE WITH PERFORATIONS

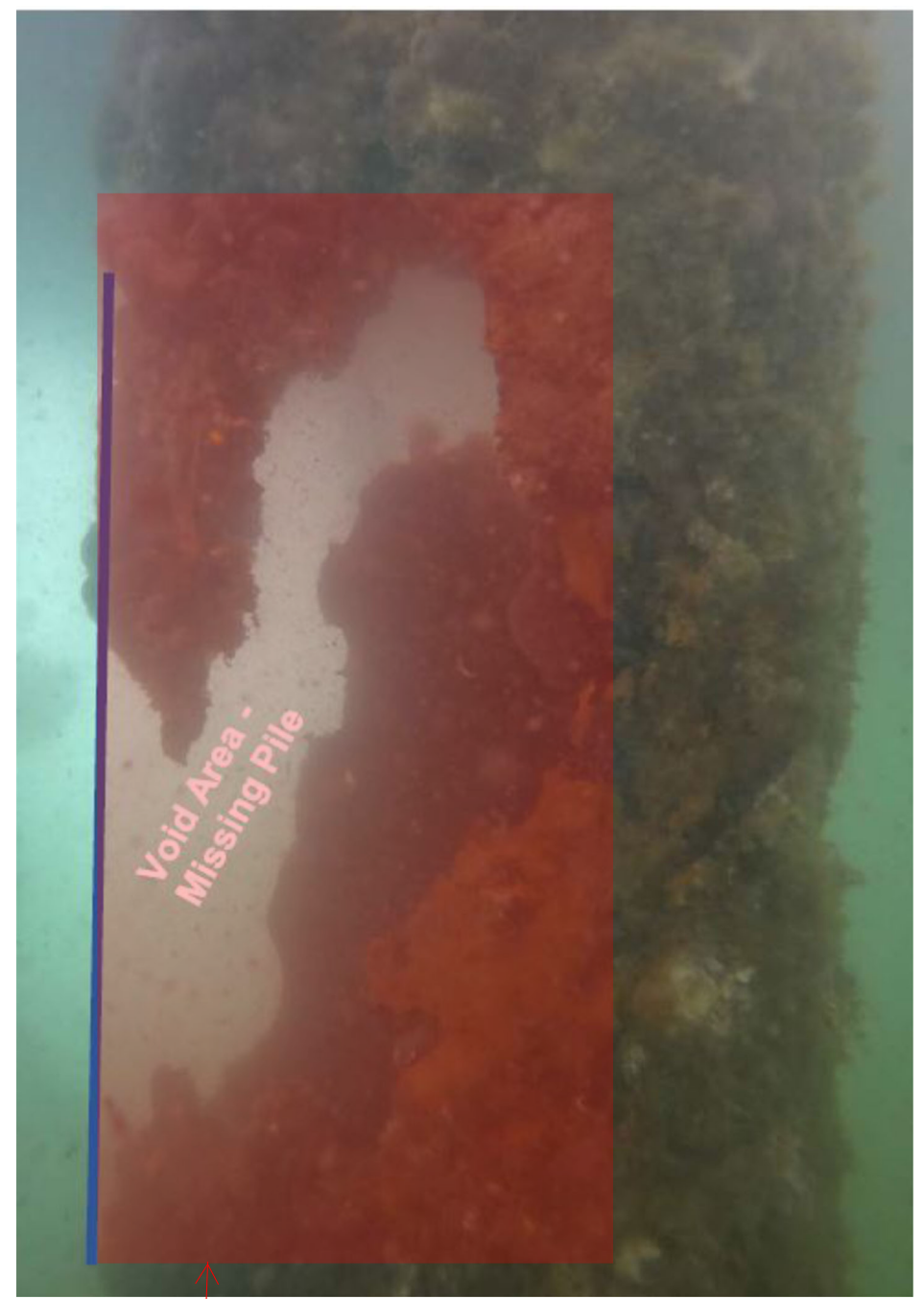
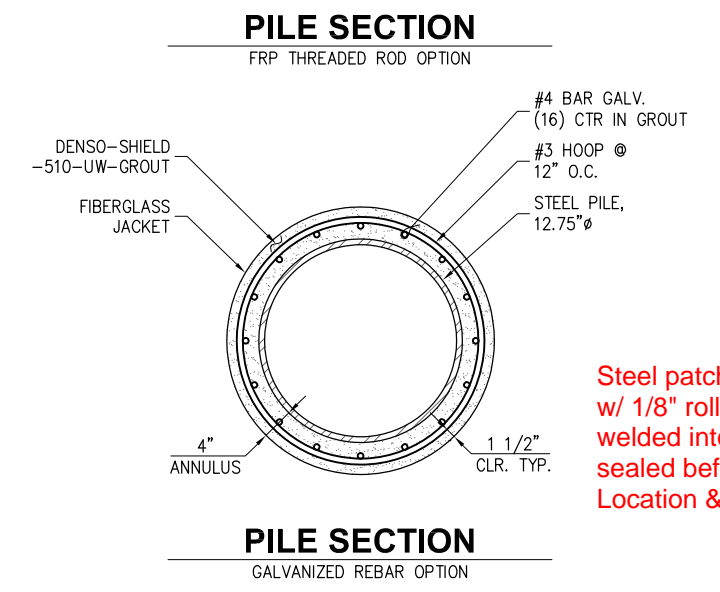
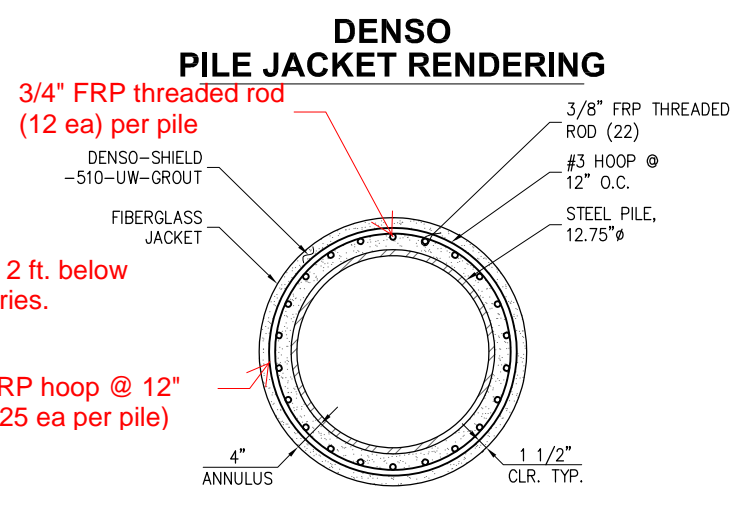
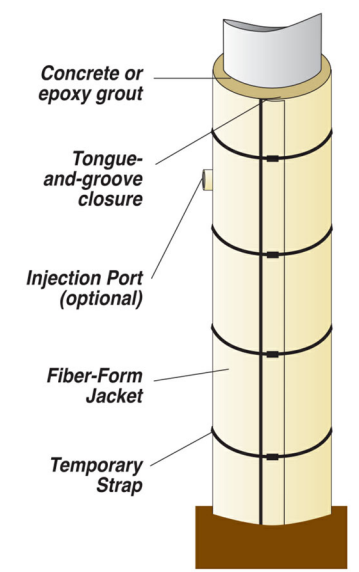
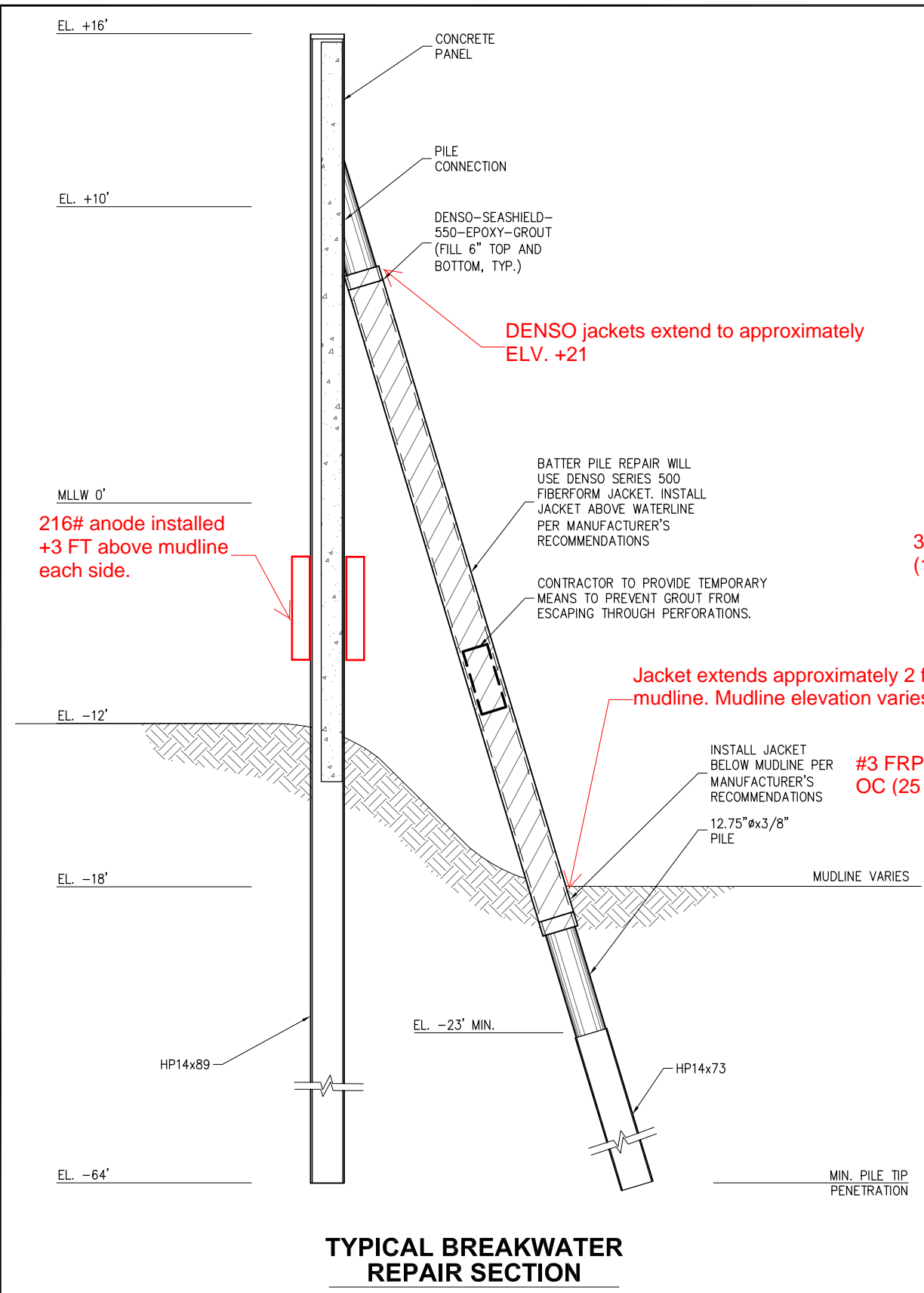
DRAFT - 8/25/2022

PND ENGINEERS, INC. IS NOT RESPONSIBLE FOR SAFETY PROGRAMS, METHODS OR PROCEDURES OF OPERATION, OR THE CONSTRUCTION OF THE DESIGN SHOWN ON THESE DRAWINGS. WHERE SPECIFICATIONS ARE GENERAL OR NOT CALLED OUT, THE SPECIFICATIONS SHALL CONFORM TO STANDARDS OF INDUSTRY. DRAWINGS ARE FOR USE ON THIS PROJECT ONLY AND ARE NOT INTENDED FOR REUSE WITHOUT WRITTEN APPROVAL FROM PND. DRAWINGS ARE ALSO NOT TO BE USED IN ANY MANNER THAT WOULD CONSTITUTE A DETRIMENT DIRECTLY OR INDIRECTLY TO PND.

REVISIONS		
REV	DATE	DESCRIPTION

PROJECT: FIDALGO MARINA EMERGENCY BREAKWATER REPAIRS			
TITLE: PLAN			
DESIGNED BY:	CF	PROJECT NO: 214027.03	SHEET NO:
DRAWN BY:	GD	DATE: JULY, 2022	1 OF 2
CHECKED BY:		SCALE: NOTED	

8/25/2022 4:21 PM K:\2021\214027.03 Fidalgo Marina\Emergency Permit Options\214027.03.01-02.dwg



Steel patching applied w/ 1/8" rolled sheet, welded into place & sealed before grouting. Location & size vary.

DRAFT - 8/25/2022

P | N | D
ENGINEERS, INC.

3240 Eastlake Avenue E.
Seattle, Washington 98102
P: 206.624.1387
www.pndengineers.com

PND ENGINEERS, INC. IS NOT RESPONSIBLE FOR SAFETY PROGRAMS, METHODS OR PROCEDURES OF OPERATION, OR THE CONSTRUCTION OF THE DESIGN SHOWN ON THESE DRAWINGS. WHERE SPECIFICATIONS ARE GENERAL OR NOT CALLED OUT, THE SPECIFICATIONS SHALL CONFORM TO STANDARDS OF INDUSTRY. DRAWINGS ARE FOR USE ON THIS PROJECT ONLY AND ARE NOT INTENDED FOR REUSE WITHOUT WRITTEN APPROVAL FROM PND. DRAWINGS ARE ALSO NOT TO BE USED IN ANY MANNER THAT WOULD CONSTITUTE A DETRIMENT DIRECTLY OR INDIRECTLY TO PND.

REVISIONS		
REV	DATE	DESCRIPTION

PROJECT: FIDALGO MARINA EMERGENCY BREAKWATER REPAIRS			
TITLE: DETAILS			
DESIGNED BY: CF	PROJECT NO: 214027.03	SHEET NO: 2 OF 2	
DRAWN BY: GD	DATE: JULY, 2022		
CHECKED BY:	SCALE: NOTED		